


重点校对项 1. 版面尺寸 <input type="checkbox"/> 2. 材质标注 <input type="checkbox"/> 3. 物料编码 <input type="checkbox"/> 4. 颜色标注 <input type="checkbox"/> 5. 客户型号 <input type="checkbox"/> 6. 产品名称 <input type="checkbox"/> 7. 重量标注 <input type="checkbox"/> 8. 电压功率 <input type="checkbox"/>	1	2	3	4	5	6		
	A	项目						
		库						
		文件名						
	B							
	C							
D								
E								
F	技术要求(版本号: A, 2017-01)							
	1.印刷颜色:5页内页单色印刷,封面及倒数第二页内页四色 2.装钉方式:打钉 3.说明书的幅面大小为: 145*210mm。 4.客供说明书 5.警语部分大写字母字高>3mm.							
G						16161000A06445		
						Living&Co-MG-TH657A (SR08318) -0501		
H						材料:100g双胶纸		
	说明书							
	标记	处数	更改文件号	签字	日期	 广东美的生活电器制造有限公司		
	制图	付伟	审核	容培旺	图样标记		重量	比例
	设计	-----	标准化	古广君	K		/	1:1
	校对	-----	审定	古广君	共 1 页		第 1 页	
会签	-----	日期	2018.02.06					
	1	2	3	4	5	6		

LIVING & CO[®]

Rice Cooker



INSTRUCTION MANUAL

MODEL: SR08318

AFTER SALES SUPPORT

 **NZ** 0800 422 274

Table of Contents

IMPORTANT SAFEGUARDS	1
Part Names.....	4
Product Specifications	4
Operating	5
Cleaning & Maintenance	6
Troubleshooting	7
Circuit diagram	7
Environmental protection	8

IMPORTANT SAFEGUARDS

Caution

For safety reasons and to avoid damage to the appliance or injuries to people, please follow by all the safety instructions below. Ignoring safety warnings may result in injuries.

This appliance does not take into consideration the following situations:

- Use by children or disabled people without supervision;
 - children treating it as a toy.
1. Read all instructions.
 2. This appliance is for household use only. Do not use outdoors.
 3. This appliance is not intended for use by persons (including children) with reduced physical, sensory or mental capabilities, or lack of experience and knowledge, unless they have been given supervision or instruction concerning use of the appliance by a person responsible for their safety.
 4. Unplug from outlet when not in use and before cleaning. Allow to cool before cleaning.
 5. If the supply cord is damaged, it must be replaced by the manufacturer, its service agent or similarly qualified persons in order to avoid a hazard.
 6. Children should be supervised to ensure that they do not play with the appliance
 7. The use of accessory attachments not recommended by the appliance manufacturer may cause injury.
 8. Please turn off and unplug the appliance before cleaning, maintenance or relocation and whenever it is not in use.
 9. Do not let cord hang over edge of table or counter, or touch hot surfaces.
 10. Do not place on or near a hot gas or electric burner, or in a heated oven.

IMPORTANT SAFEGUARDS

Caution

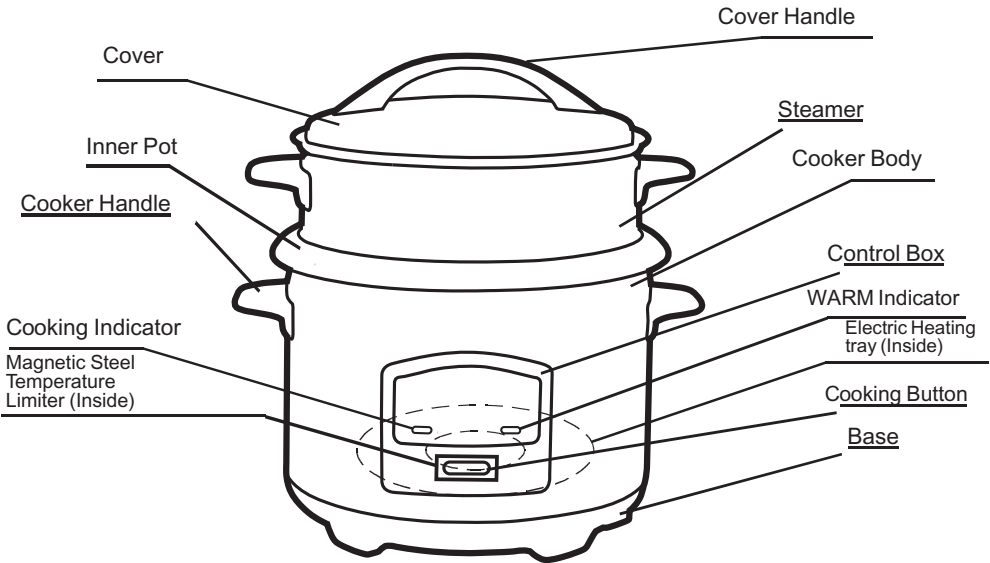
11. Extreme caution must be used when moving an appliance containing hot food, water or other hot liquids.
12. Do not use the appliance for other than intended use.
13. Lift and open cover carefully to avoid scalding, and allow water to drip into unit.
14. To disconnect turn the control to OFF, then remove plug from wall outlet.
15. Containers are designed for use with this appliance only. They must never be used on a range top. Do not set a hot container on a wet or cold surface. Do not use a cracked container.
16. Appliances can be used by persons with reduced physical, sensory or mental capabilities or lack of experience and knowledge if they have been given supervision or instruction concerning use of the appliance in a safe way and understand the hazards involved.
17. Do not immerse the appliance in water or any other liquid.
18. This appliance is intended to be used in household and similar applications such as:
 - staff kitchen areas in shops, offices and other working environments;
 - farm houses;
 - by clients in hotels, motels and other residential type environments;
 - bed and breakfast type environments.
19. Children shall not play with the appliance. The surfaces of the appliance are liable to get hot during use.
20. To protect against electrical shock, do not immerse cord, plug or appliance in water or other liquid.
21. The heating element surface is subject to residual heat after use, do not touch.

IMPORTANT SAFEGUARDS




Caution

22. Warning: Misuse may cause potential injury
 23. Do not touch hot surfaces. Use handles or knobs. Use potholders when removing cover or handling hot containers.
 24. Do not place on or near a hot gas or electric burner, or in a heated oven.
-
- ⊗ Never use this appliance to cook any food that may jam the steam valve: such as Foliaceous food (e.g. liver, Chinese cabbage) or strip food (e.g. kelp) and fragmentary foods (e.g. corn grit), as these may cause accidents or damage to the rice cooker.
 - ⊗ During operation, never put your face or hands close to the steam valve in order to avoid scald.
 - ❗ Use an individual earthed socket of 10A rated current.
 - ❗ To avoid any malfunction or damage, do not tilt the appliance whilst in use.
 - ❗ The rice cooker must operate with the provided inner pot only.
 - ⊗ When in use, do not touch the inner pot to avoid scalding by high-temperatures.
 - ⊗ Wipe away water from outside the inner pot before cooking to avoid any fault.
 - ❗ Please clean away water drops and rice grains between the inner pot and heating plate before cooking to avoid overheating.

Part Name



Product Specifications

Model No.	Rated voltage	Rated frequency	Rated power	Capacity	Cooking method	LXWXH(mm)
SRO8318	220-240V~	50/60Hz	630-750W	6.5L	Direct heating	325×325×300
Accessories	Spoon		Measuring Cup		Metal Steam Basket	
						

Operating

WARNING: Do not immerse the cooker body in water.

NOTE: One cup of rice is about 0.18L (about 150g).

CAUTION: Do not directly wash rice in the inner pot to avoid scratching or distorting the inner pot.

1. Add the cleaned rice into the inner pot, select the suitable water level mark according to the amount of rice measured.
2. The scale mark on the inner pot is the scale mark for the cups of rice and water. For example: when cooking 2 cups of rice, put the clean rice into the inner pot, and then add water to the scale mark "2".
3. The water mark of the inner pot is the standard cooking water mark, please adjust the water amount according to personal taste.
4. Do not exceed the max scale mark of the corresponding function, otherwise, it may cause an overflow or short circuit.
5. Dry the external surface of the inner pot, place it in the cooker and make the rice even in the bottom of inner pot, carefully rotate the inner pot left to right to make a good contact with the heating element.
6. Insert the power plug into the socket, press down the "Cooking" button, the rice cooker will start.
7. After cooking, the Cooking button will automatically disconnect, and the electric rice cooker enters into the automatic Keep Warm state.
8. If possible, leave the rice for about 15min and then open the cover to serve.

CAUTION: Use the plastic accessory scoop when serving the rice.

DO NOT use metal spoons or utensils to avoid damaging the inner pot.

STEAMING

When steaming food, use the correct amount of water in the inner pot, then put the food into the steamer, operate according to above step 4, 5 and 6. After steaming, lift the cooking button.

When steaming food, ensure a correct amount of water is used to avoid overflowing the steamer when the water is boiling.

- Do not use the WARM function for longer than 5 hours to avoid affecting the flavor.
- Do not cook hard foods with bones, to avoid scratching and damaging the inner pot.
- When cleaning the inner pot, do not scrub it with a metal pad or stiff tools to avoiding scratching it.
- After use, please dry the parts, and then store it in the safe and dry place.

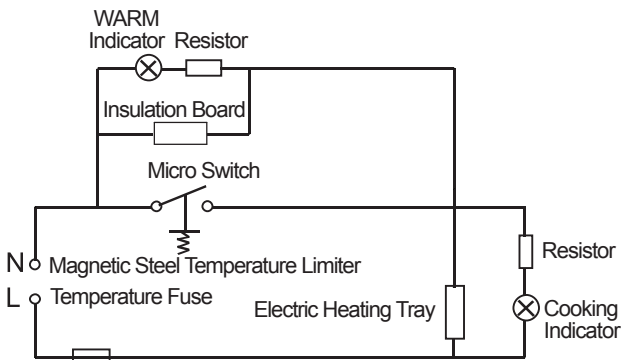
Cleaning & Maintenance

1. Before cleaning, first switch off the appliance and then disconnect the power plug from the power outlet.
2. Wash the Inner pot and Steamer tray in warm and soapy water using a sponge or cloth and rinse thoroughly. Wipe dry. Do not clean with any abrasive brushes to avoid damaging the non-stick coating.
3. Occasionally rice grains or other residue may stick onto the heating plate. Ensure a proper contact is made with the Inner pot and rub the grains/residues away from the heating plate and then wipe clean.

Troubleshooting

S/N	Issue	Possible Cause	Check and Solutions	
1	Indicator doesn't light on	Electric heating tray doesn't heat	The circuit of the electric rice cooker is not connected with the power supply	Check the switch, plug, socket and power cord, ensure the plug is tightly inserted into the socket
		Electric heating tray heats	1. Indicator wire is loose 2. Indicator is damaged	Seek Authorised Service Centre advice
2	Indicator lights on	Electric heating tray doesn't heat	1. Middle wire is loose 2. Electric heating tube element is damaged 3. Temperature limiter is damaged	Seek Authorised Service Centre advice
3	Rice is not well cooked, or the cooking time is too long		1. Keep warm time is not adequate 2. Electric heating tray is distorted 3. Inner pot is not in the middle of the cooker 4. There's foreign object between the inner pot and electric heating tray 5. Inner pot is distorted 6. The surface of the magnetic steel temperature limiter is dirty	1. Leave the rice according to the requirement 2. Seek Authorised Service Centre advice 3. Rotate the inner pot to keep it at the middle of the cooker 4. Remove the foreign object 5. Seek Authorised Service Centre advice 6. Clean the surface with 320# sand paper
4	The rice is burnt		1. The cooking button and lever mechanism is not free 2. Magnetic steel temperature limiter is fault	Seek Authorised Service Centre advice
5	The cooker can't automatically WARM	The wires of the insulation board is loose or the heating element of the insulation board is damaged	Seek Authorised Service Centre advice	

Circuit diagram



Environmental protection

Responsible Disposal

At the end of its working life, do not throw this product out with your household rubbish. Electrical and electronic products contain substances that can have a detrimental effect on the environment and human health if disposed of inappropriately. Observe any local regulations regarding the disposal of electrical consumer goods and dispose of it appropriately for recycling. Contact your local authorities for advice on recycling facilities in your area.

Please keep the original packaging carton and materials in a safe place. It will help to prevent any damage if the product needs to be transported in the future. In the event it is to be disposed of, please recycle all packaging material where possible.



LIVING & CO[®]

Warranty

We pride ourselves on producing a range of quality home appliances that are both packed with features and completely reliable. We are so confident in our products, we back them up with a 3 year warranty.

Now you too can relax knowing that you are covered.

Customer Helpline NZ: 0800 422 274

This Product is covered by 3 year warranty when accompanied by proof of purchase.